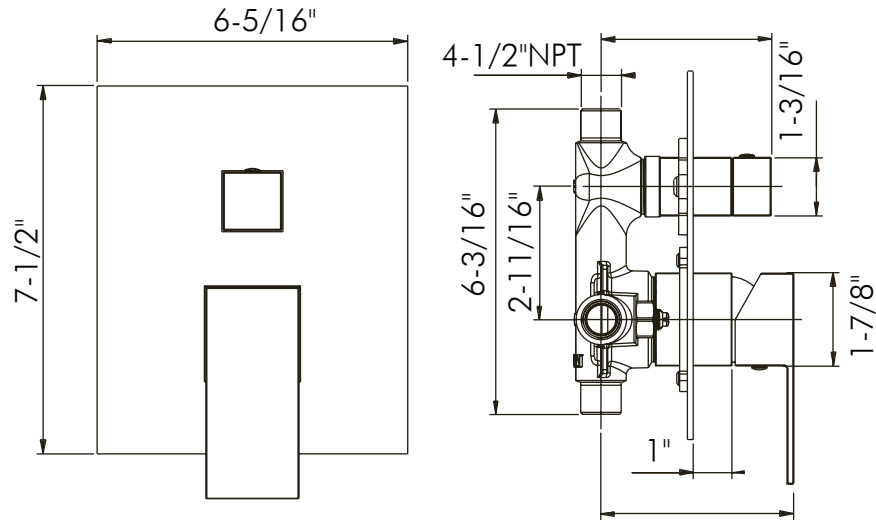




DAX-6973A-CR

SHOWER VALVES **SERIES**





FEATURES

- Two functions
- Pressure balance
- Ceramic cartridge
- Brass body





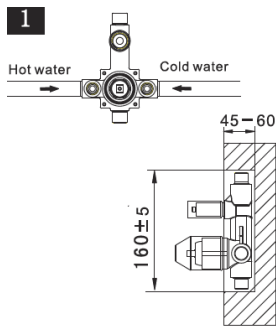
SHOWER VALVE DAX-6973A-CR

MODEL	DAX-6973A-CR
UPC APPROVED	No
ANSI APPROVED	No
ASME APPROVED	No
HAND SHOWER FLOW RATE (GPM)	No
SHOWER HEAD FLOW RATE (GPM)	No
ROUGH-IN VALVE FLOW RATE (GPM)	2.37 Gpm
HANDLE MATERIAL	Zinc alloy
HAND SHOWER INCLUDED	No
HAND SHOWER HOSE INCLUDED	No
HAND SHOWER HOSE LENGTH	No hose
INSTALLATION TYPE	Wall mount
MATERIAL	Brass
PRESSURE BALANCE	Yes
SCALD GUARD	Yes
VALVE INCLUDED	Yes
VALVE TYPE	Pressure balance
WATER EFFICIENT	No
WATERSENSE CERTIFIED	No
WALL ELBOW DIMENSION	No
FINISH	Chrome

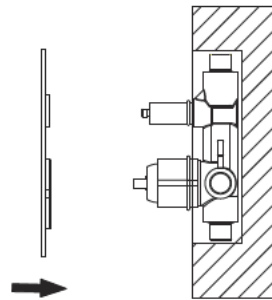




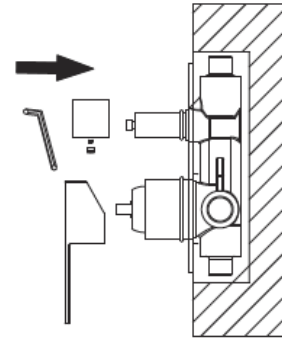
01



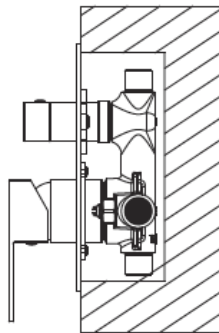
02



03



04



05

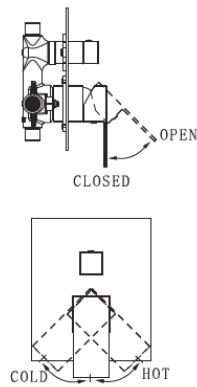
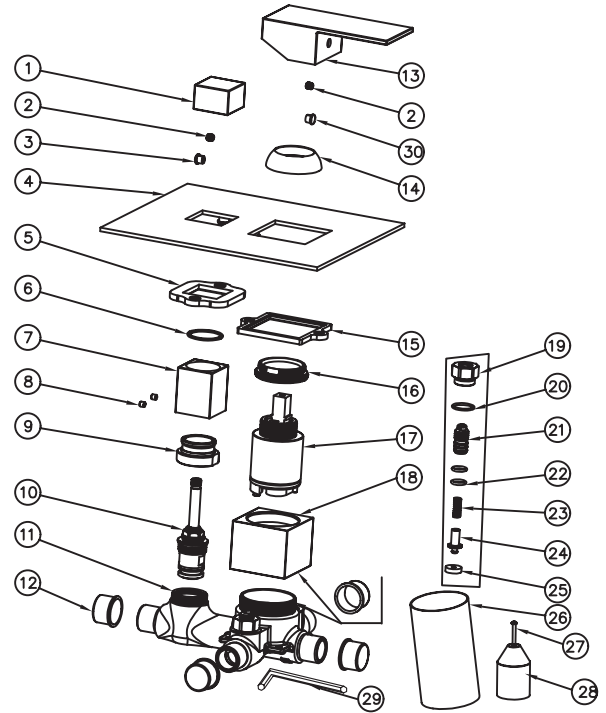




DIAGRAM NUMBER	DAX SKU	TITLE DESCRIPTION
1	40HD40109CP	DIVERTER HANDLE
2	40LD90001NTM5	SCREW
3	40UF70002NC	CAP
4	40UR50107CP	COVER
5	40DP80219NT	WASHER
6	40DP70022NT	WASHER
7	40MQ40038CP	SLEEVE
8	40LD90006NT	M4 SCREW
9	40JL41451NT	NUT
10	40KH50018NT	DIVERTER CARTRIDGE
11	40BM10022NT	VALVE
12	40MR70040NT	PLASTICS PROTECTOR
13	40HD6003CPSYFAM114	HANDLE
14	40FB50001CP	CAP
15	40DP80124NT	WASHER



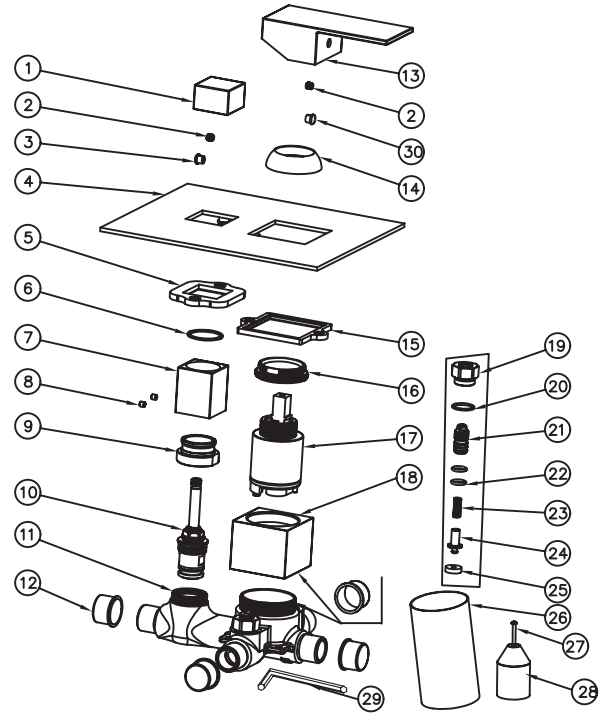
For parts or sale requirements please contact our customer service department:

 CS@daxib.com

 1 888 685 8236



DIAGRAM NUMBER	DAX SKU	TITLE DESCRIPTION
16	40NY40163NT	NUT
17	40KB70010NT	CARTRIDGE
18	40MQ40034CP	SLEEVE
19	40NG40152NT	NUT
20	40RH80108NT-NSF	O-RING
21	40LT40014NT	SCREW
22	40RH80121NT-NSF	O-RING
23	40PC90033NT	SPRING
24	40PA40018NT	SCREW
25	40DP80177NT	WASHER
26	40MR70001NT	PLASTICS PROTECTOR
27	40LC90011NT	M4 SCREW
28	40MR70198NT	PLASTIC PROTECTOR
29	40PF90007NC	2,5 ALLEN KEY
30	40UF70002NC	CHINO



For parts or sale requirements please contact our customer service department:

 CS@daxib.com

 1 888 685 8236